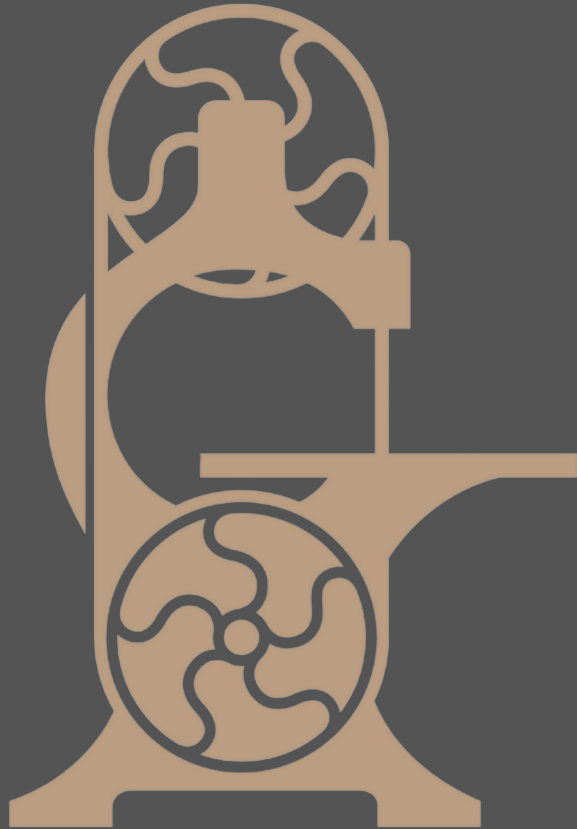


PUSH BUTTON BOX

ESTD 1994

# BANDSAW LIFE

Alex Snodgrass

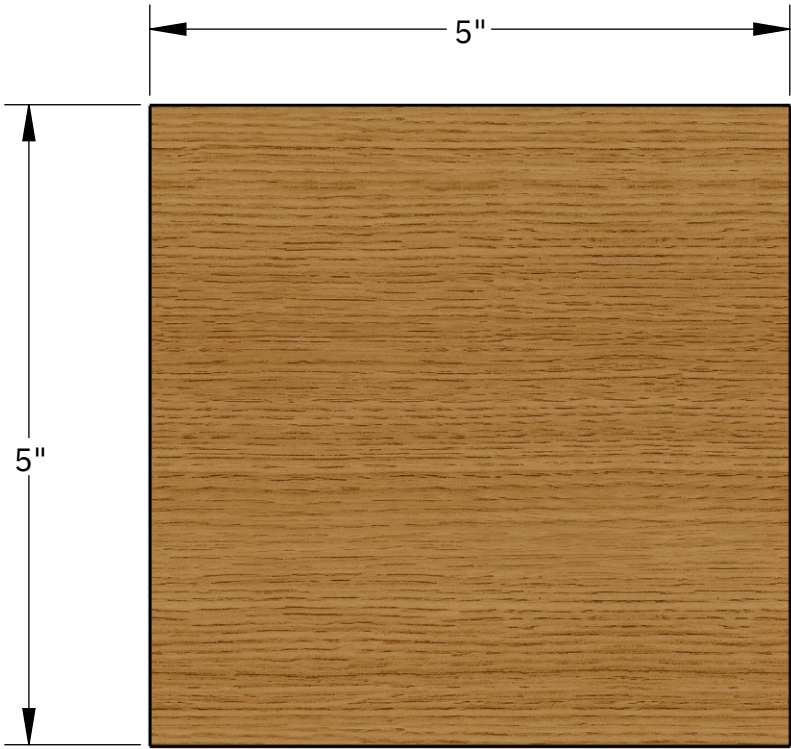
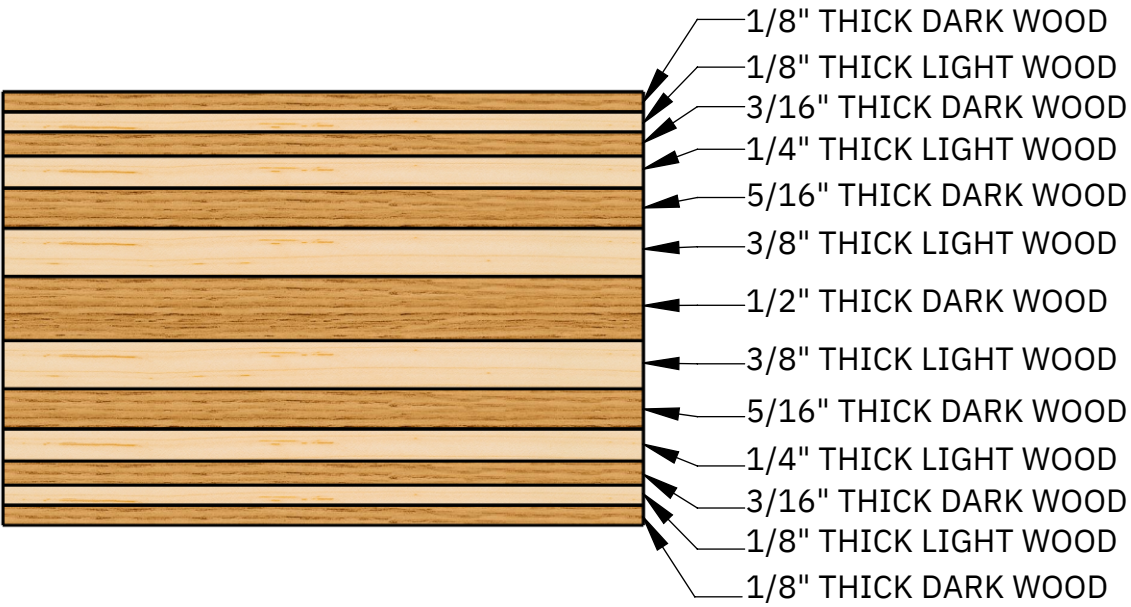


[www.bandsawlife.com](http://www.bandsawlife.com)



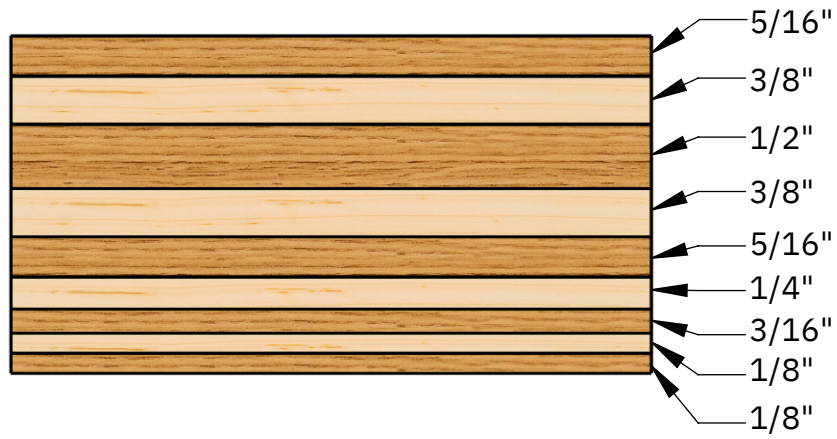
# PAGE 1

## BOX BODY CUT LIST



# PAGE 2

## BOX BODY 1ST GLUE UP



GLUE ONLY THESE  
PIECES TOGETHER

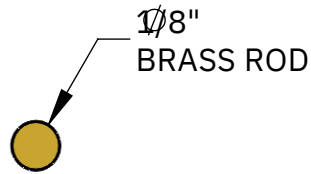
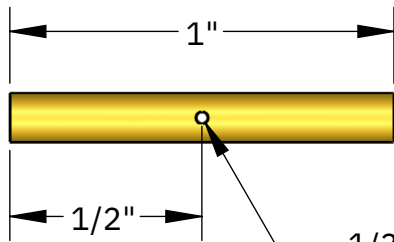
SAVE OTHER PIECES  
FOR LATER



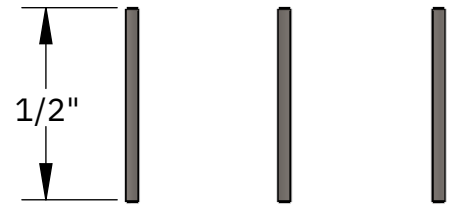
# PAGE 3 PIVOT MECHANISM PARTS

VIEWS NOT TO SCALE

## PIVOT ROD 1

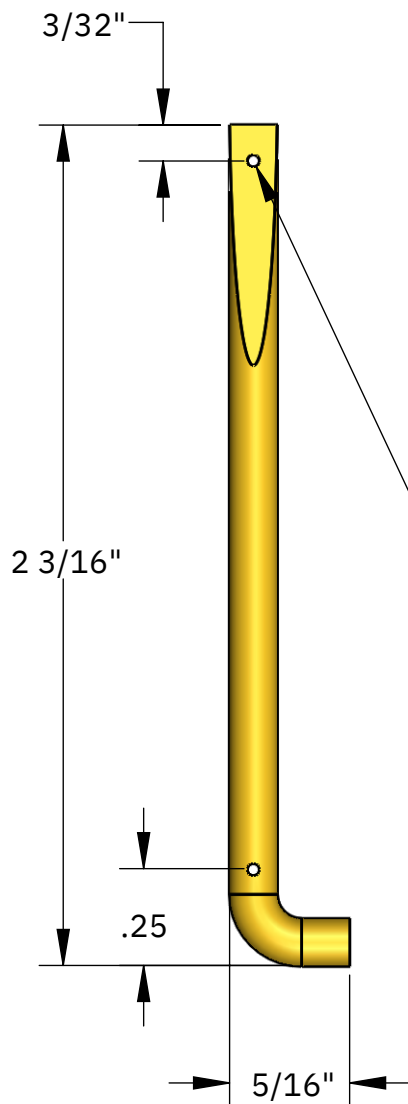


1/32" THRU  
NEEDS TO BE LARG ENOUGH  
FOR A PIN TO SLIP  
THROUGH



CUT FROM STRAIGHT PINS  
(YOUR WIFE MAY HAVE SOME)

## PIVOT ROD 2



1/32" THRU  
NEEDS TO BE LARG ENOUGH  
FOR A PIN TO SLIP  
THROUGH

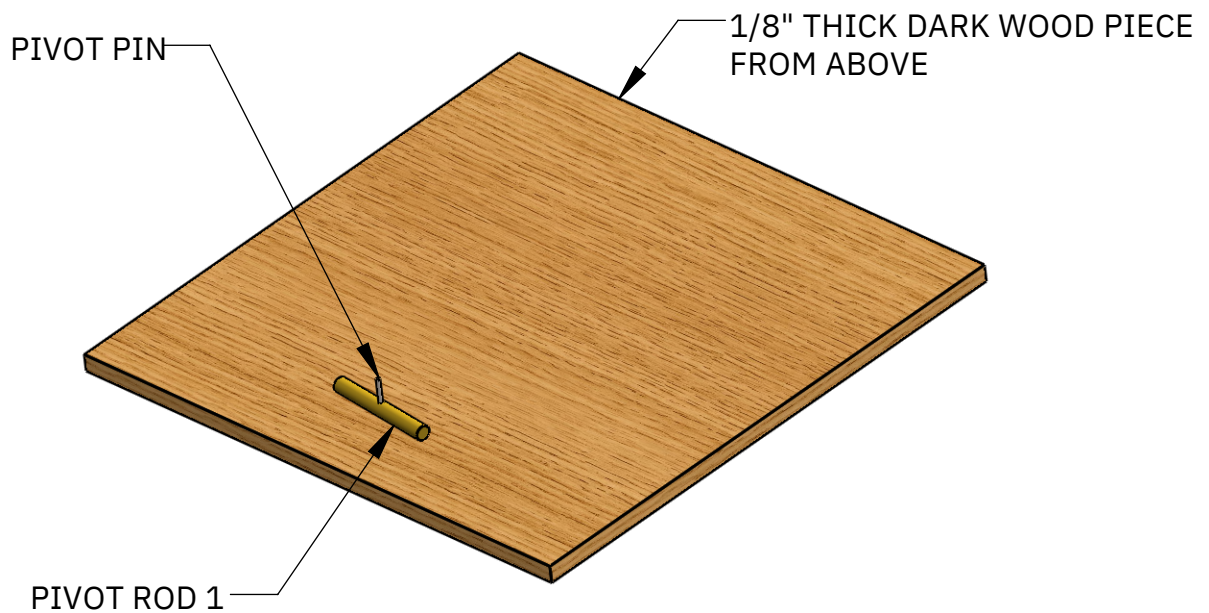
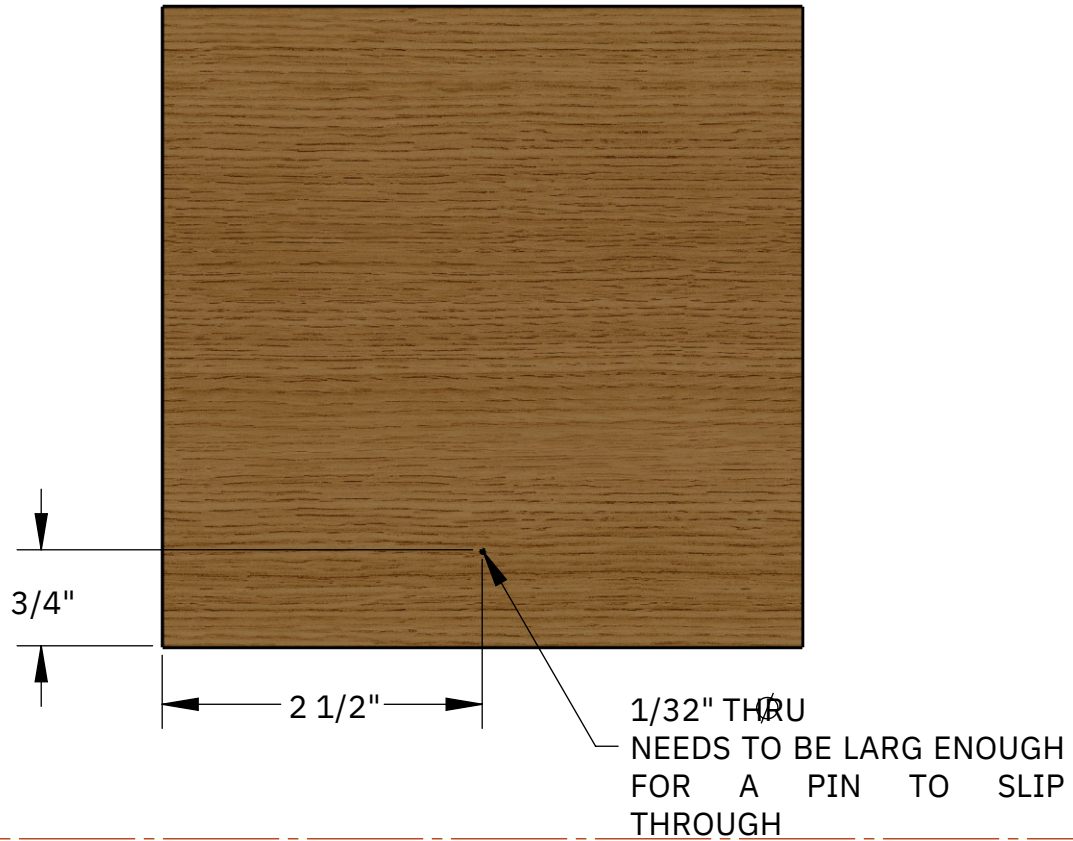


1/8"  
BRASS ROD

# SHEET 4

## WOOD PEICES FOR MECHANISM

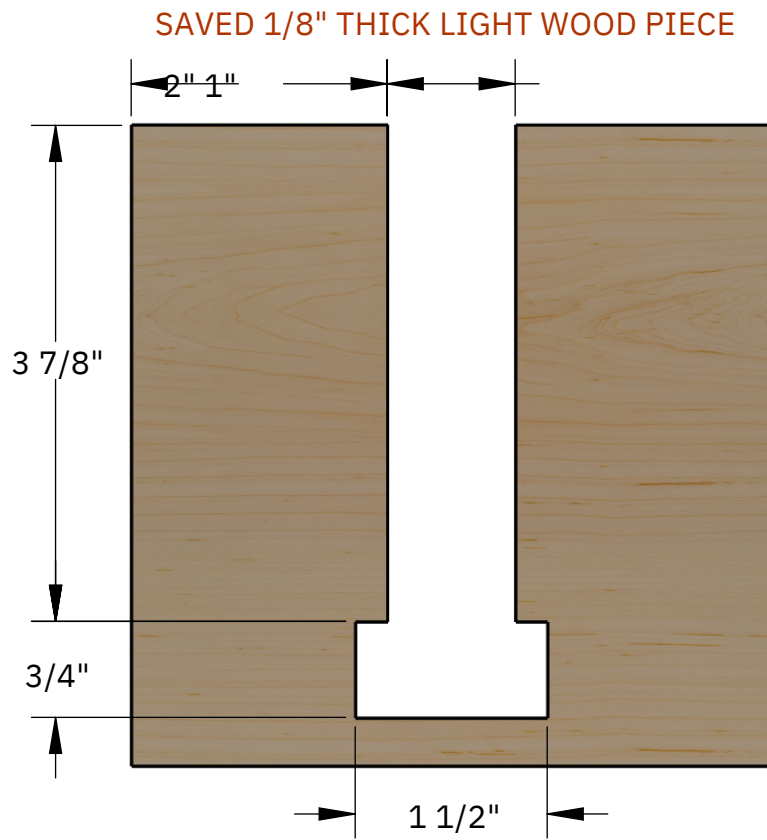
SAVED 1/8" THICK DARK WOOD PIECE



# SHEET 5

## WOOD PEICES FOR MECHANISM

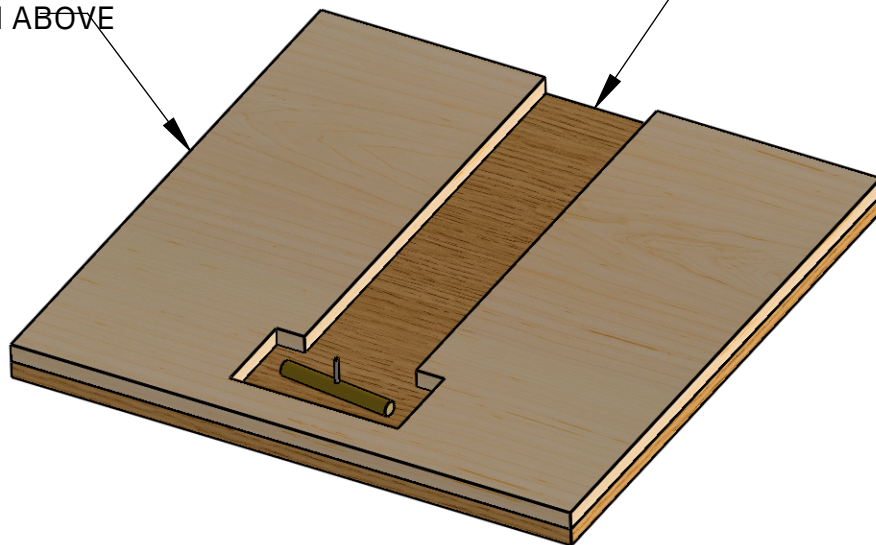
### CONTINUED



---

1/8" THICK LIGHT WOOD  
PIECE FROM ABOVE

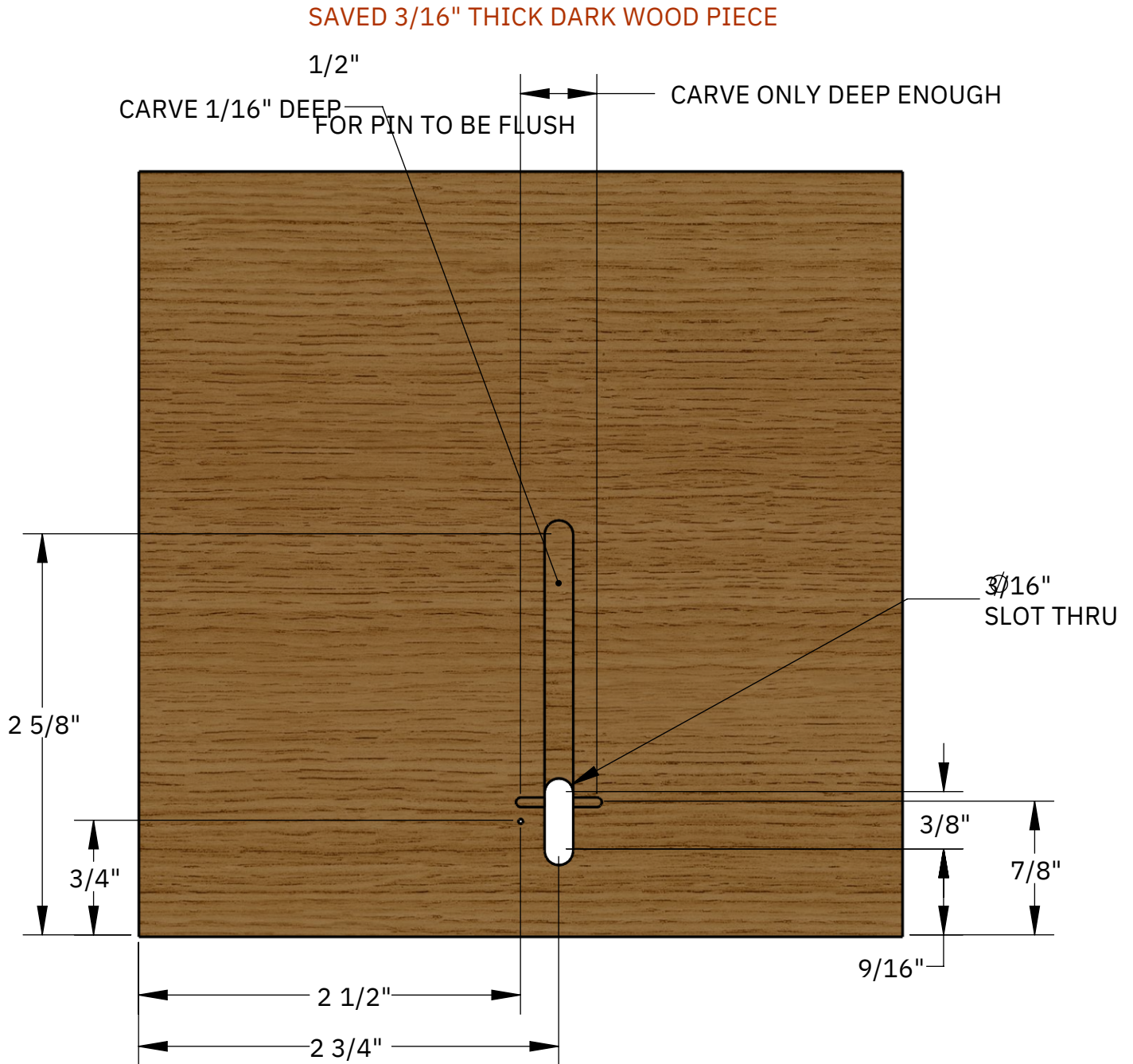
ASSEMBLY FROM SHEET 4



# SHEET 6

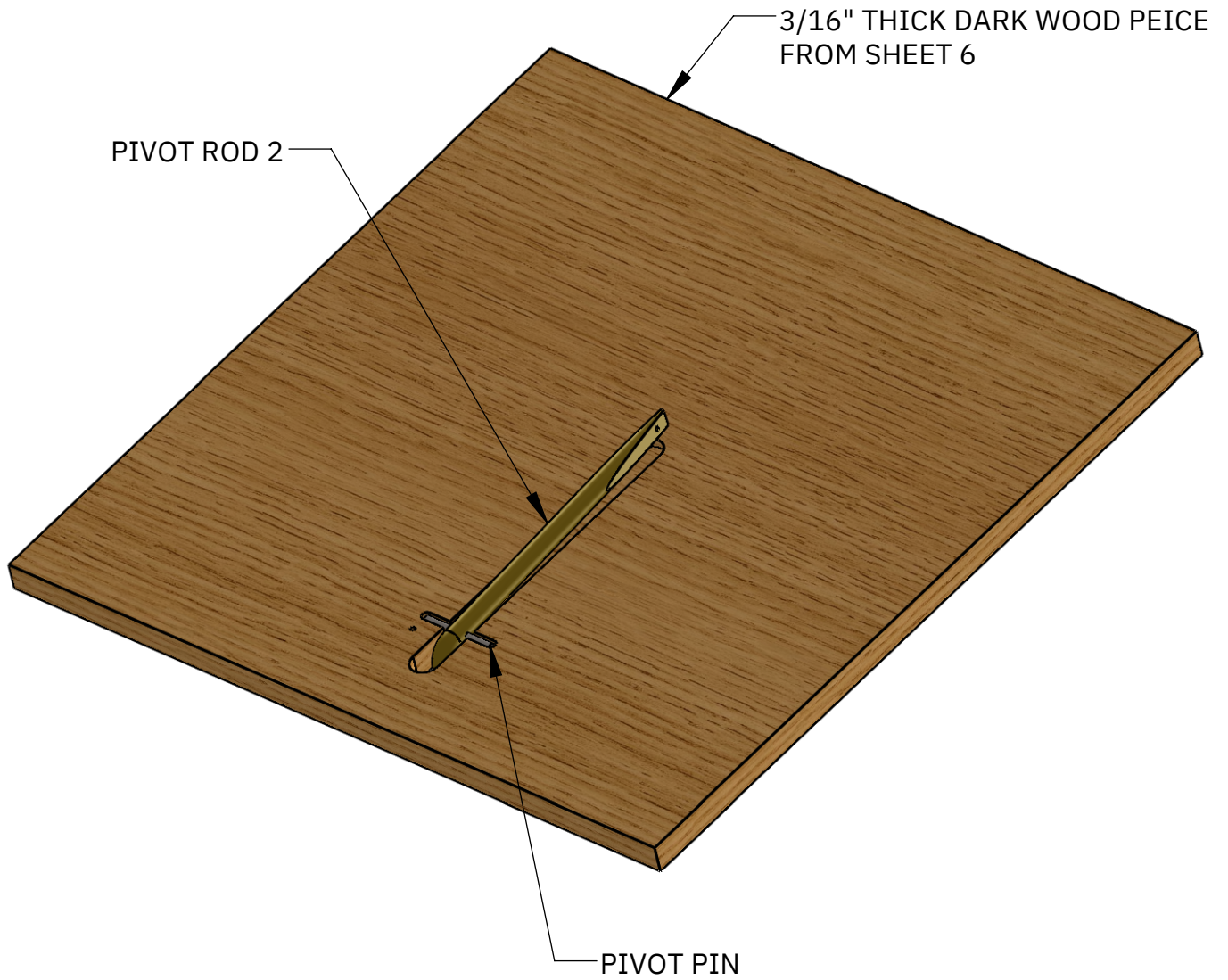
## WOOD PEICES FOR MECHANISM

### CONTINUED

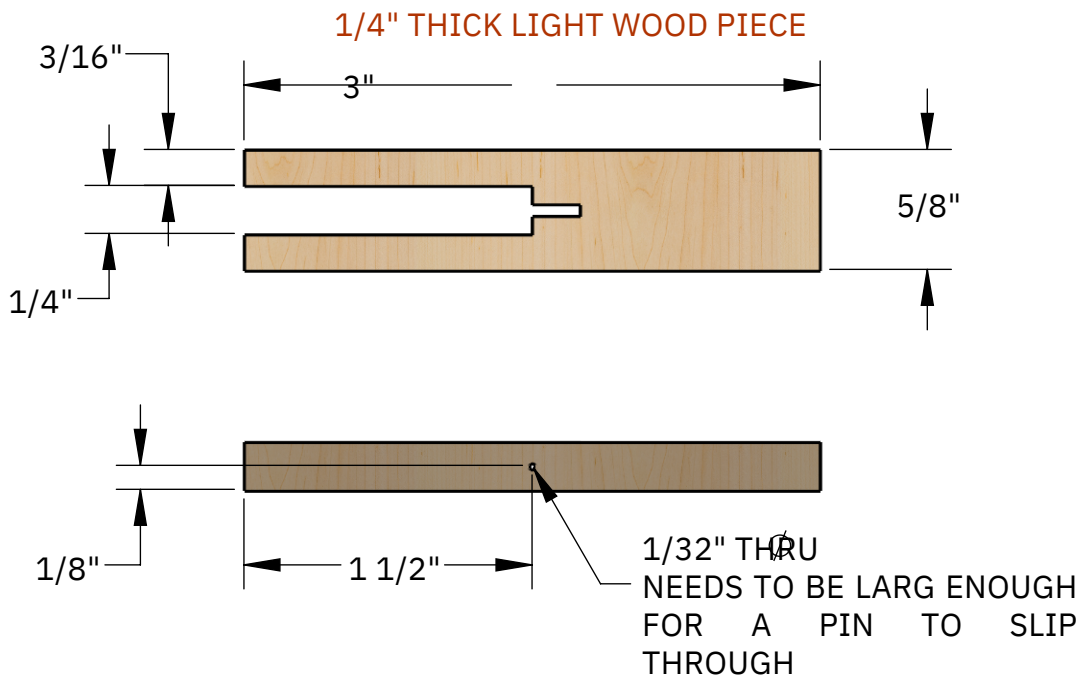
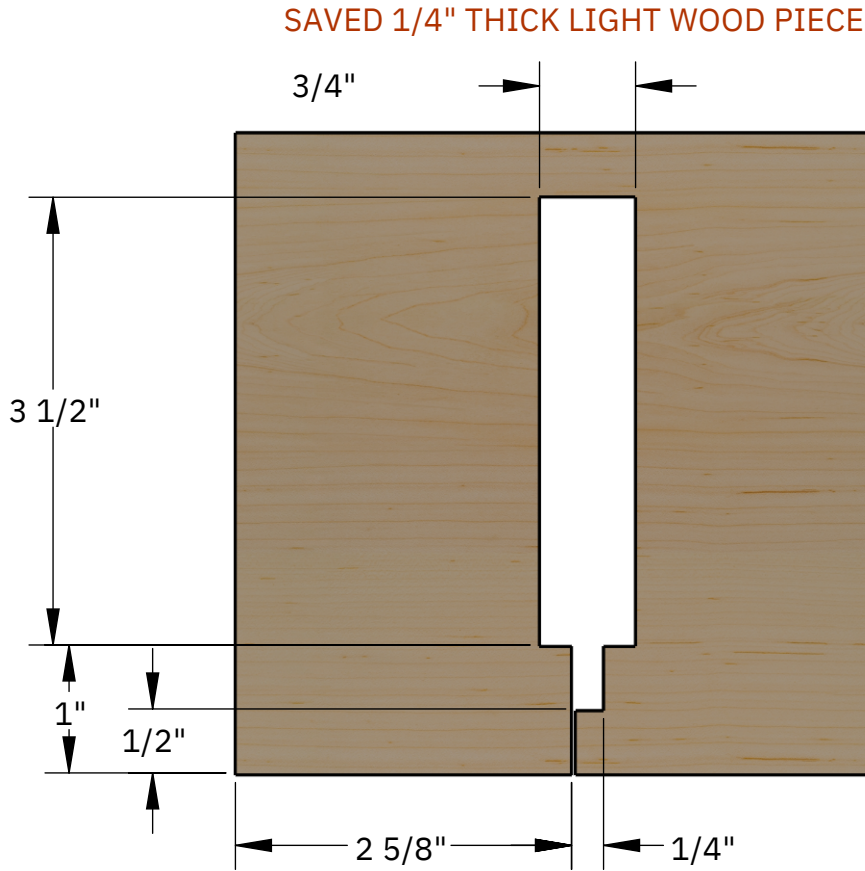


# SHEET 7

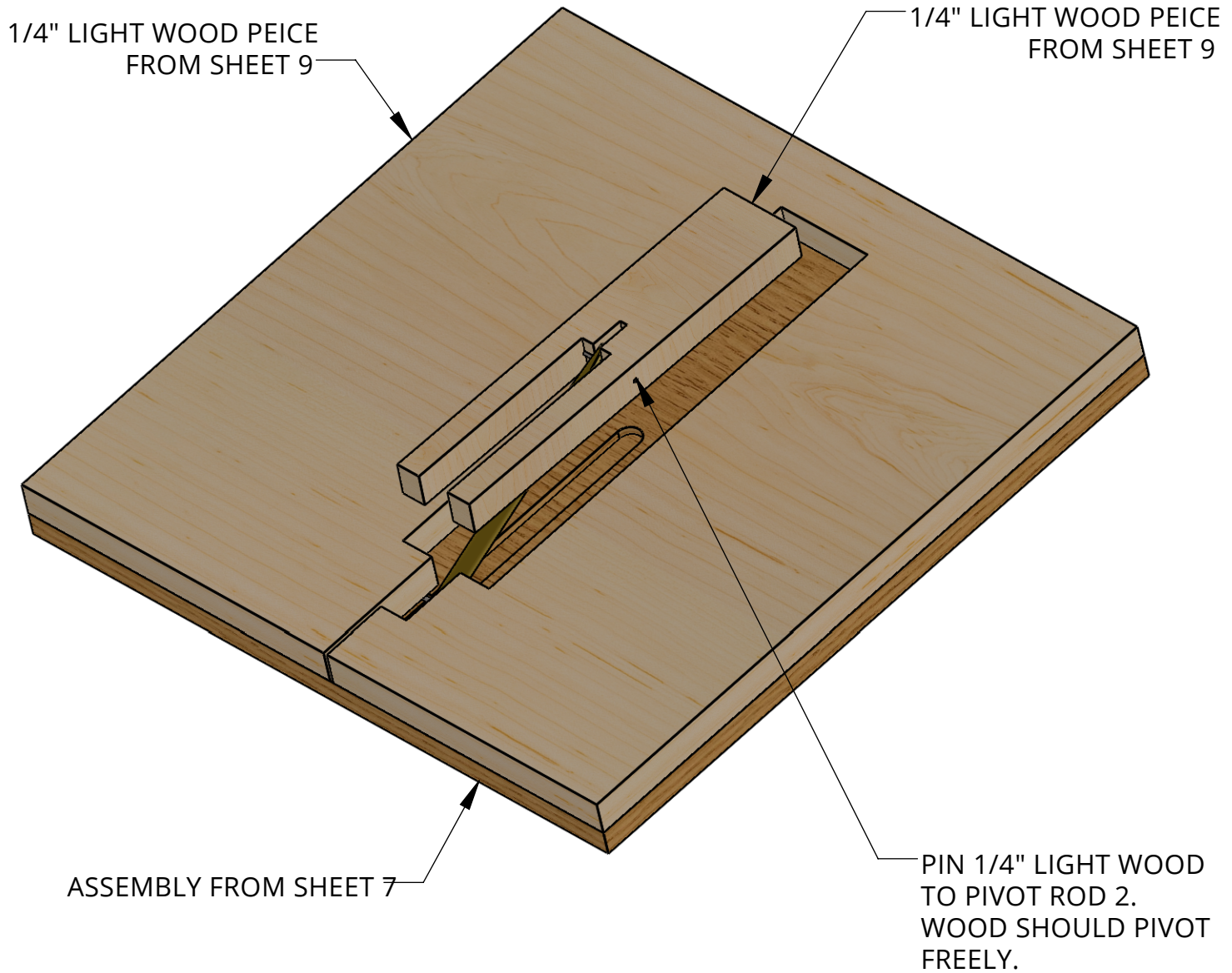
## WOOD PEICES FOR MECHANISM CONTINUED



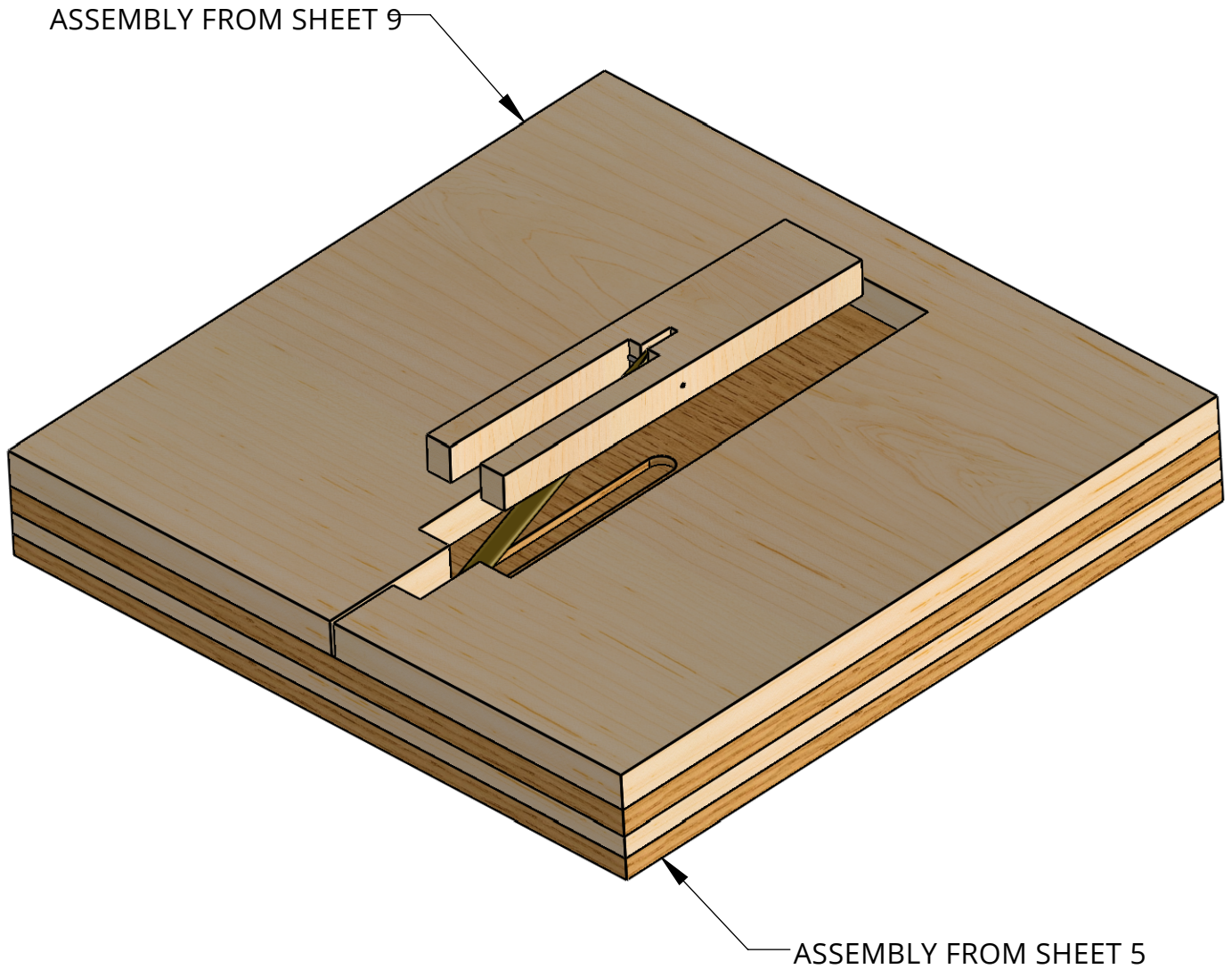
# SHEET 8 WOOD PEICES FOR MECHANISM CONTINUED



# SHEET 9 WOOD PEICES FOR MECHANISM CONTINUED



# SHEET 10 MECHANISM GLUE UP

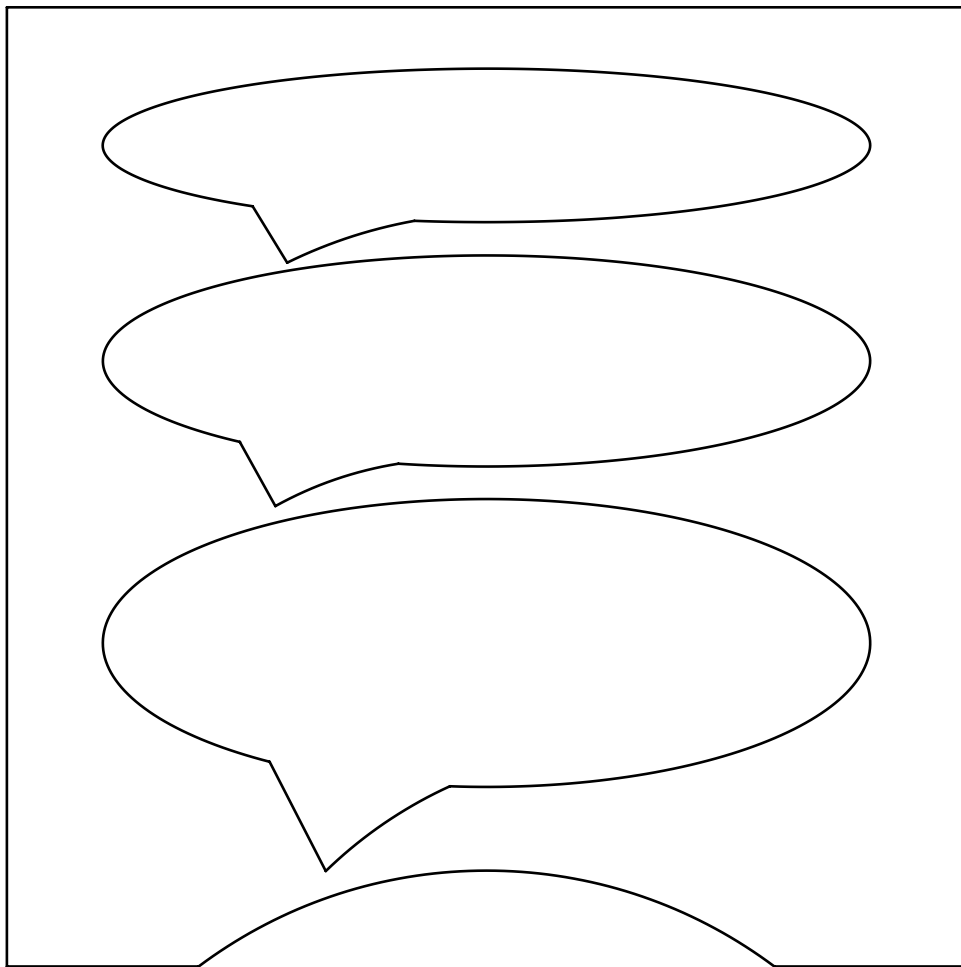


- GLUE THE ASSEMBLIES AS SHOWN.
- MAKE SURE PIVOT ROD 1 IS POSITIONED BELOW PIVOT ROD 2 BEFORE GLUING - MAKE SURE NOT TO GLUE ANY MOVING PARTS FROM THE MECINISM

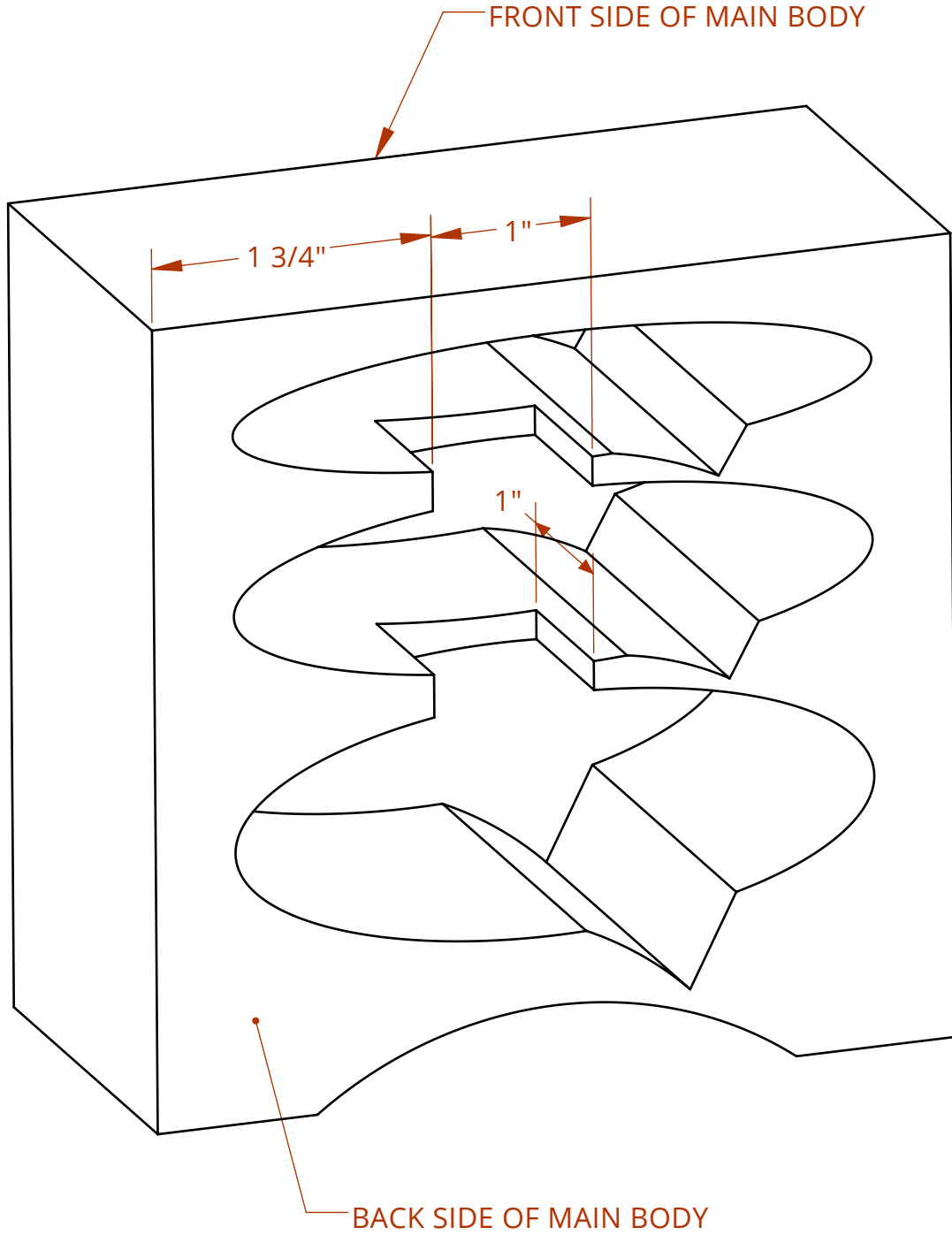
# SHEET 11

## MAIN BODY CUT PATTERN

FULL SCALE FOR TEMPLATE

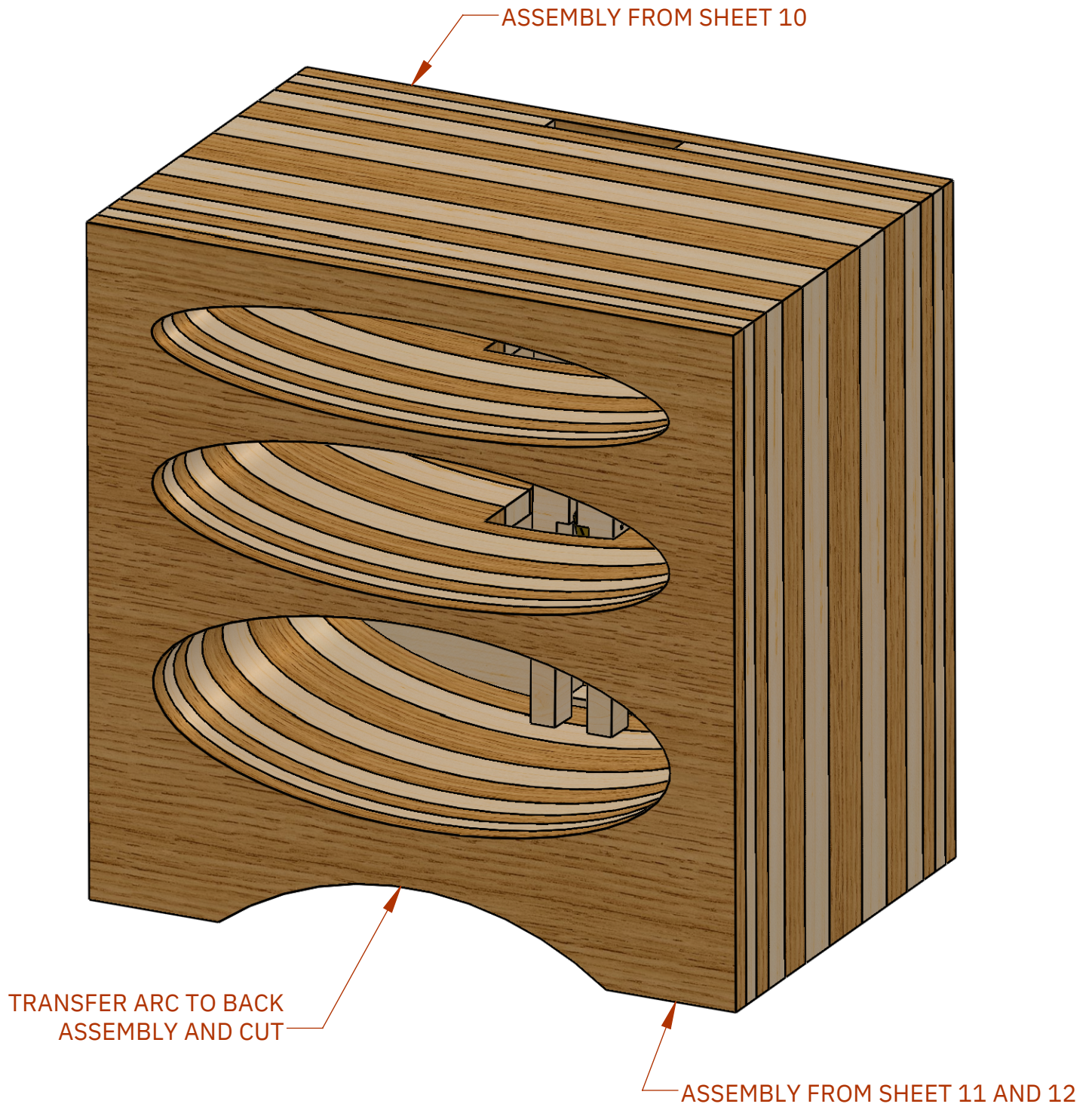


# SHEET 12 MAIN BODY SECOND CUT

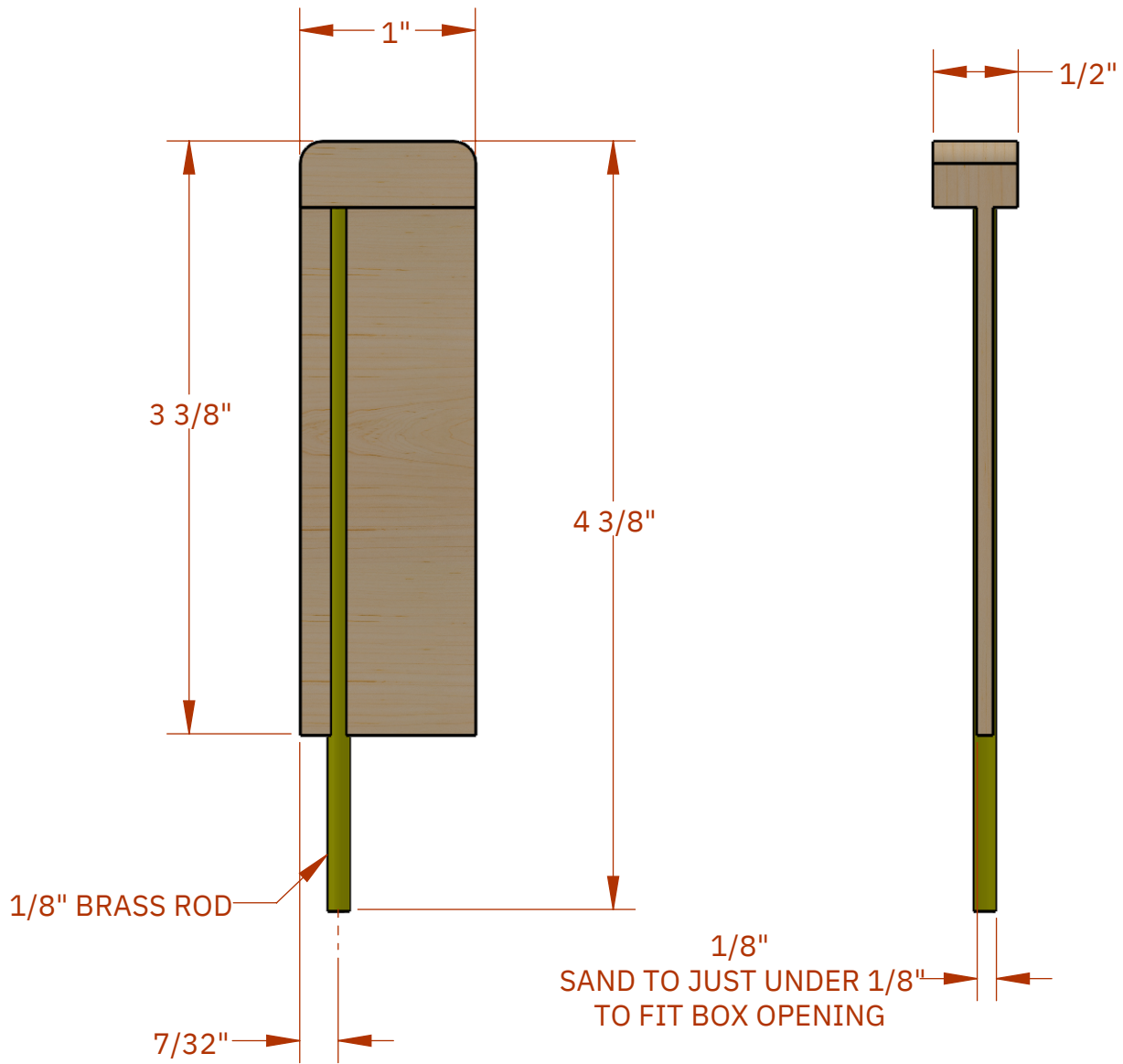


# SHEET 13

## MAIN BODY AND MECHANISM GLUE UP



# SHEET 14 PUSH BUTTON



# SHEET 15 COMPLETED BOX

